

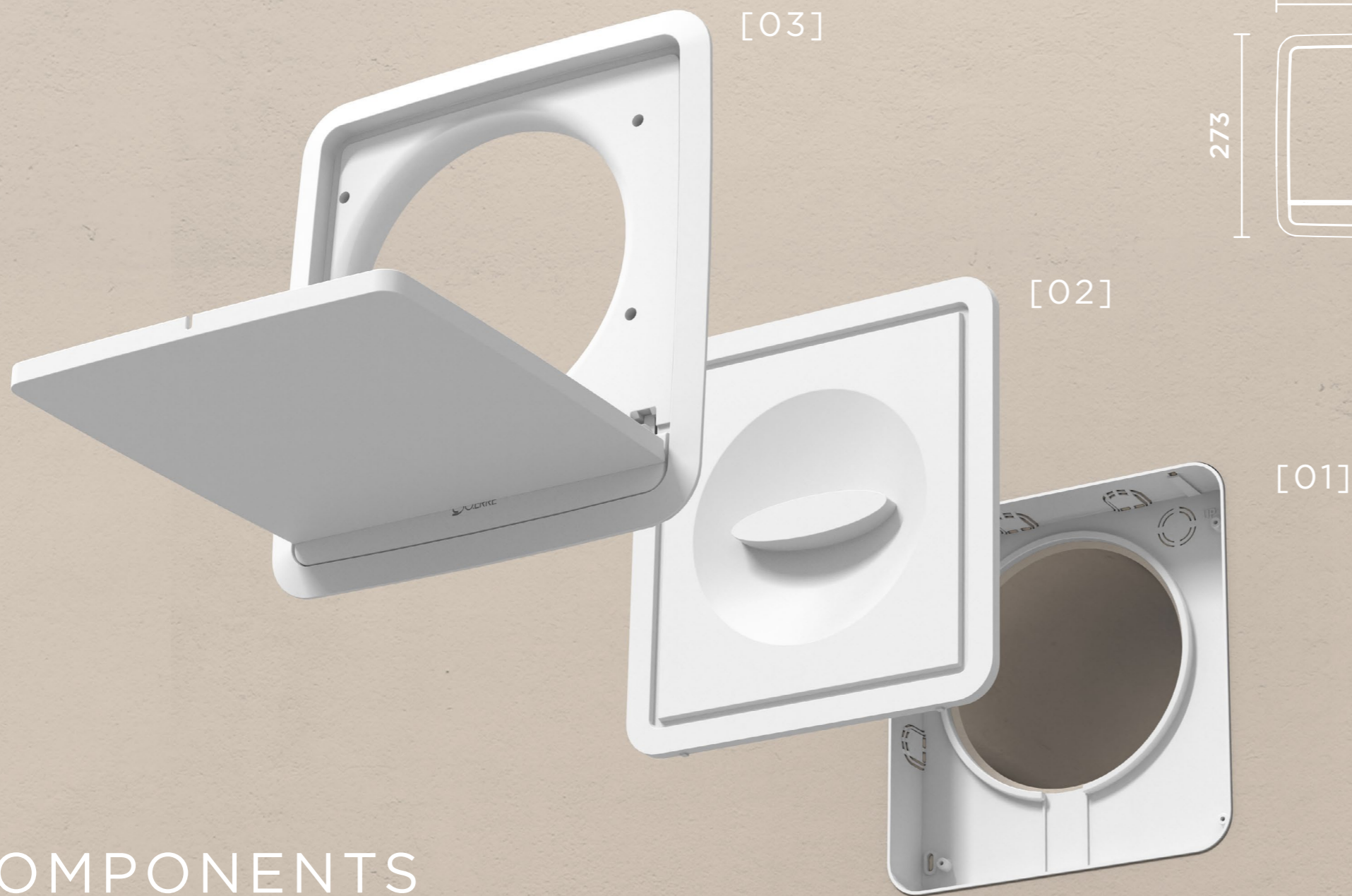
GHOST-U IN

DESIGNED TO SEAMLESSLY DISAPPEAR

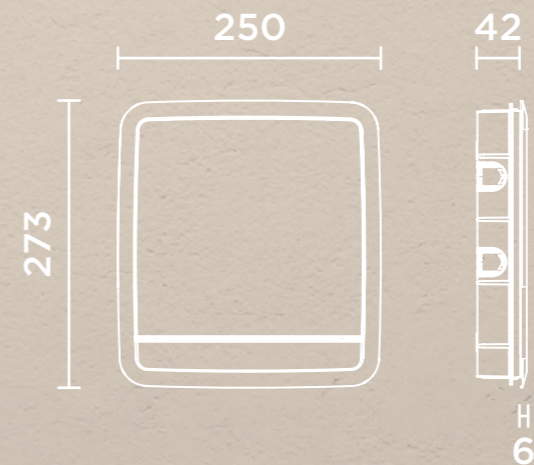
The Built-in kit is an accessory that allows Ghost-U to be installed directly within the wall. Designed to ensure maximum discretion, this system enhances interiors with an almost imperceptible visual impact.

Installation involves placing a dedicated housing frame into the wall and using the flush-mounted finish instead of the standard one. The result is the Ghost-U IN version: a refined solution that, with a projection of only 6 mm, offers clean lines that blend harmoniously into the space without weighing it down

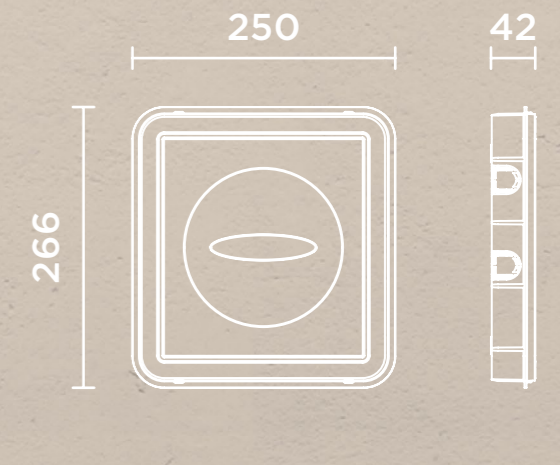




Ghost-U IN:



Formwork and cover:



* Dimensions in millimetres (mm)

COMPONENTS

[01] HOUSING FRAME

A component required for flush wall installation. Thanks to its solid structure and pre-weakened anti-mortar sections for cable entry, installation is simple and quick.

[02] HOUSING FRAME COVER

Protective cover used during masonry work, as it prevents building materials from settling inside the housing frame.

[03] GHOST-U IN AESTHETIC KIT

Includes the aesthetic elements that replace the standard ones, allowing perfect wall integration without protrusions.

O.ERRE

 export@oerre.it

 +39.030.686.2341

 www.oerre.eu